



EBARA

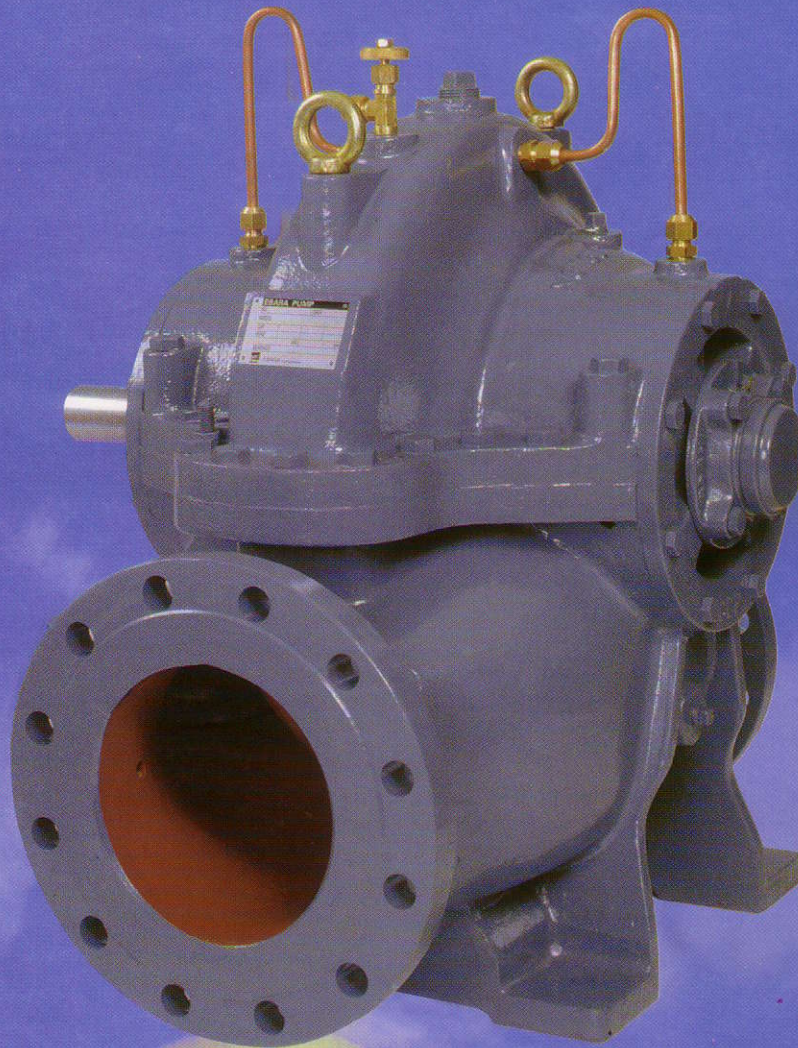
ISO 9002
KEMA
CERT. NR. 98922
DUTCH COUNCIL FOR ACCREDITATION



HORIZONTAL SPLIT CASING PUMP

Model **CSA/CNA**

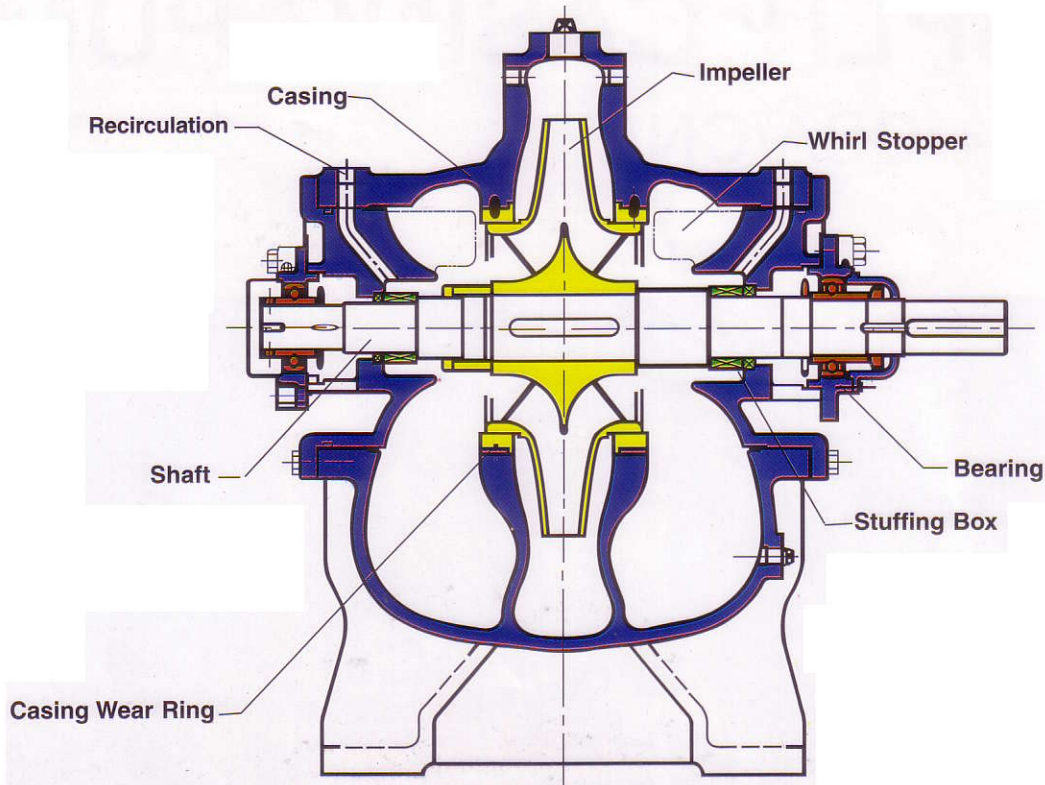
50Hz



HORIZONTAL SPLIT CASING PUMP

FEATURES

1. Very Compact design for ease of installation and permits minimum maintenance.
2. Axially split casing allows the easy removal of the top casing for inspection and service.
3. A wider range of performance with head up to 150m.
4. High speed drives and vertical mount available.
5. Anti-corrosion materials used on the rotating parts.
6. High quality sealed and cartridge type bearing units provide high durability.
7. High allowable working pressure can ensure stable running.
8. Mechanical seal for easy maintenance.



Casing

The rotating assembly can be removed without disturbing connected piping as the suction and discharge flanges are integrally casted into the lower casing half. Casing is **high pressure designed** and able to withstand against water surge.

Recirculation

Recirculation pipe lines for self-flushing are provided.

Impeller

The hydraulic matching of casing and impeller minimizes axial thrust and recirculation, ensuring **high efficiency, low NPSH required** and **quiet performance** over the entire range of operation. **Bronze material is standard.**

Whirl Stopper

The cast whirl stopper direct flow into the impeller eye for more even suction distribution. The gradually accelerated inlet flow has low tendency for velocity distortion, ensuring a **quiet operation.**

Shaft

Stainless steel material ensures long life against corrosion and wear. Short support span of bearing lengthen bearing life.

Casing Wear Ring

Replaceable bronze casing wear rings are locked to prevent rotation. It protects the pump casing from wear, permits simple maintenance of proper running clearances to reduce maintenance costs and maintain high operating efficiency.

Bearing

Replenishable grease lubricated deep-groove bearing units with low friction loss has a **long life** can be easily inspected and replaceable. **Auto alignment structure** absorbs shaft deflection.

Stuffing Box

John Crane type mechanical seal is standard, easily obtainable in the market and replaceable without disturbing piping. Gland packing is available as option.