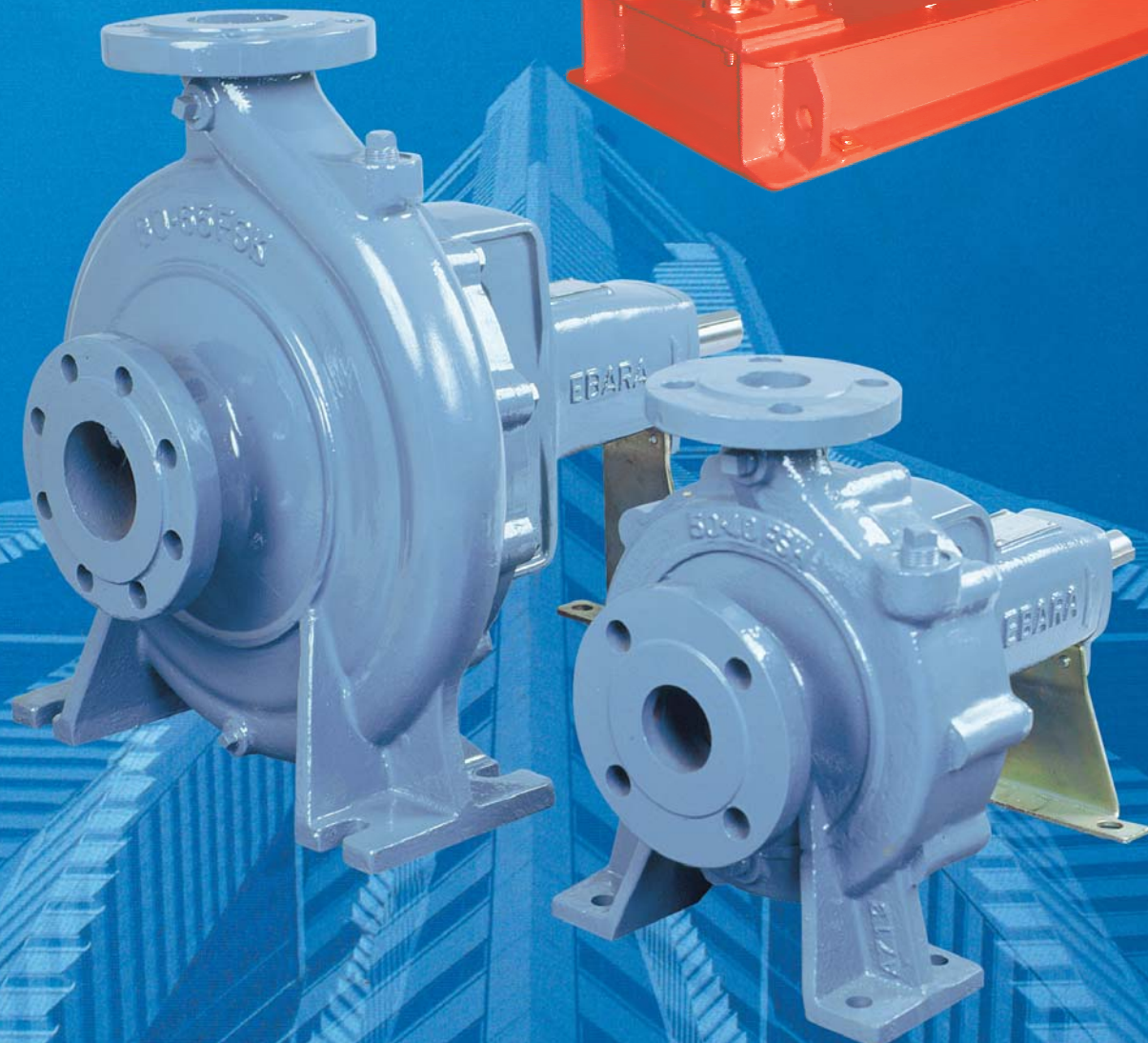
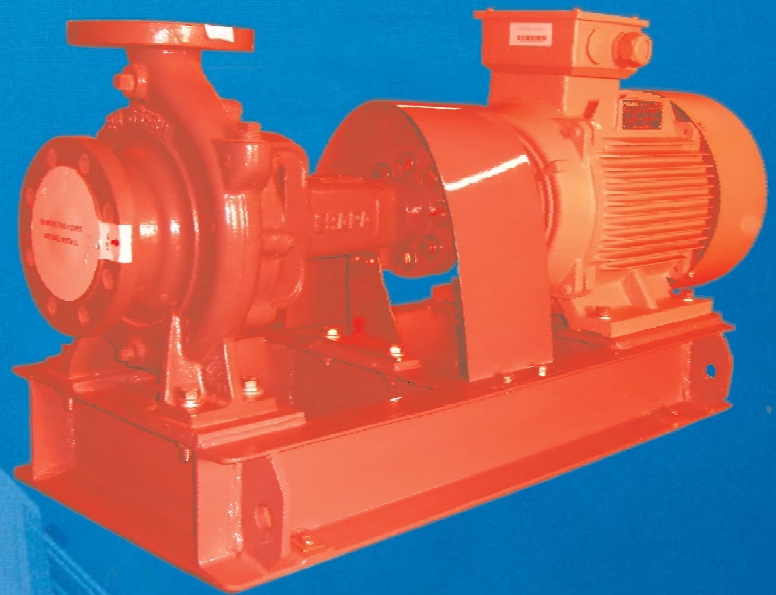
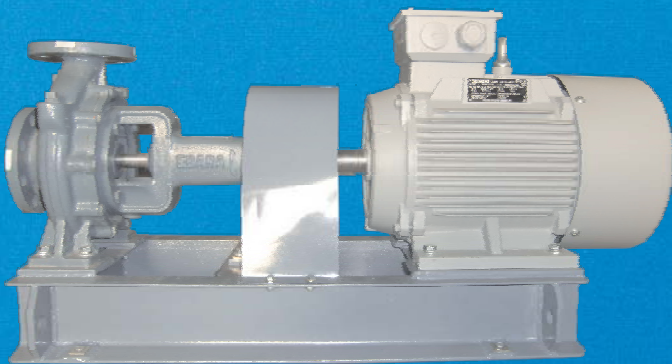


FS8001C-5

# END SUCTION VOLUTE PUMP

Model **FSA**

50 Hz



## FEATURES

1. Easy removal and maintenance, BPO (Back Pull Out) system allows all rotating element to be removed without disconnecting suction and discharge pipework.
2. Top centerline dischargen foot support under casing for maximum resistance to misalignment and distorsion from pipe loads
3. Non-overload design to ensure stable performance for all applications.
4. Wide range application with flow capacity up to 22m<sup>3</sup>/min
5. Higher working pressure up to 16 Bar.

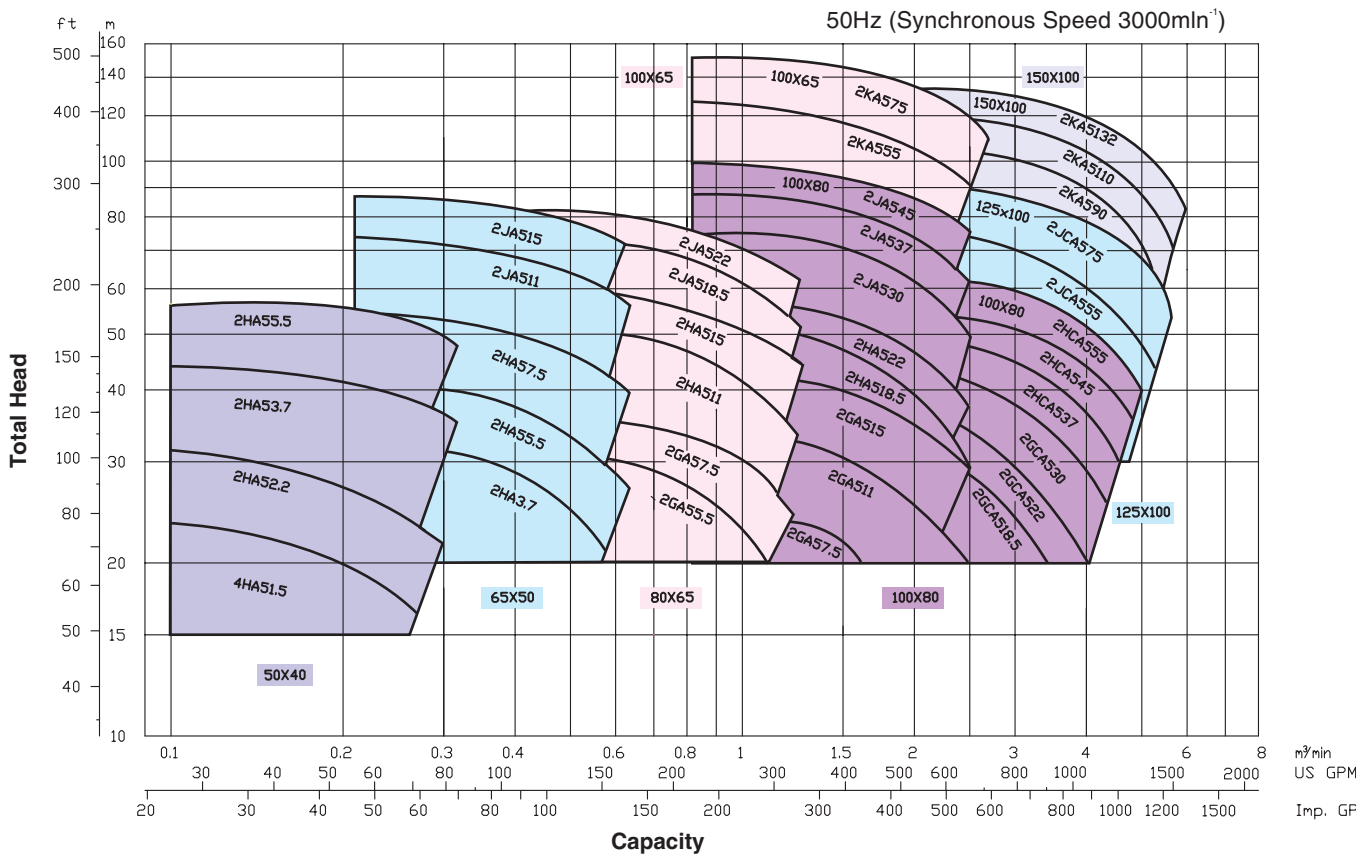
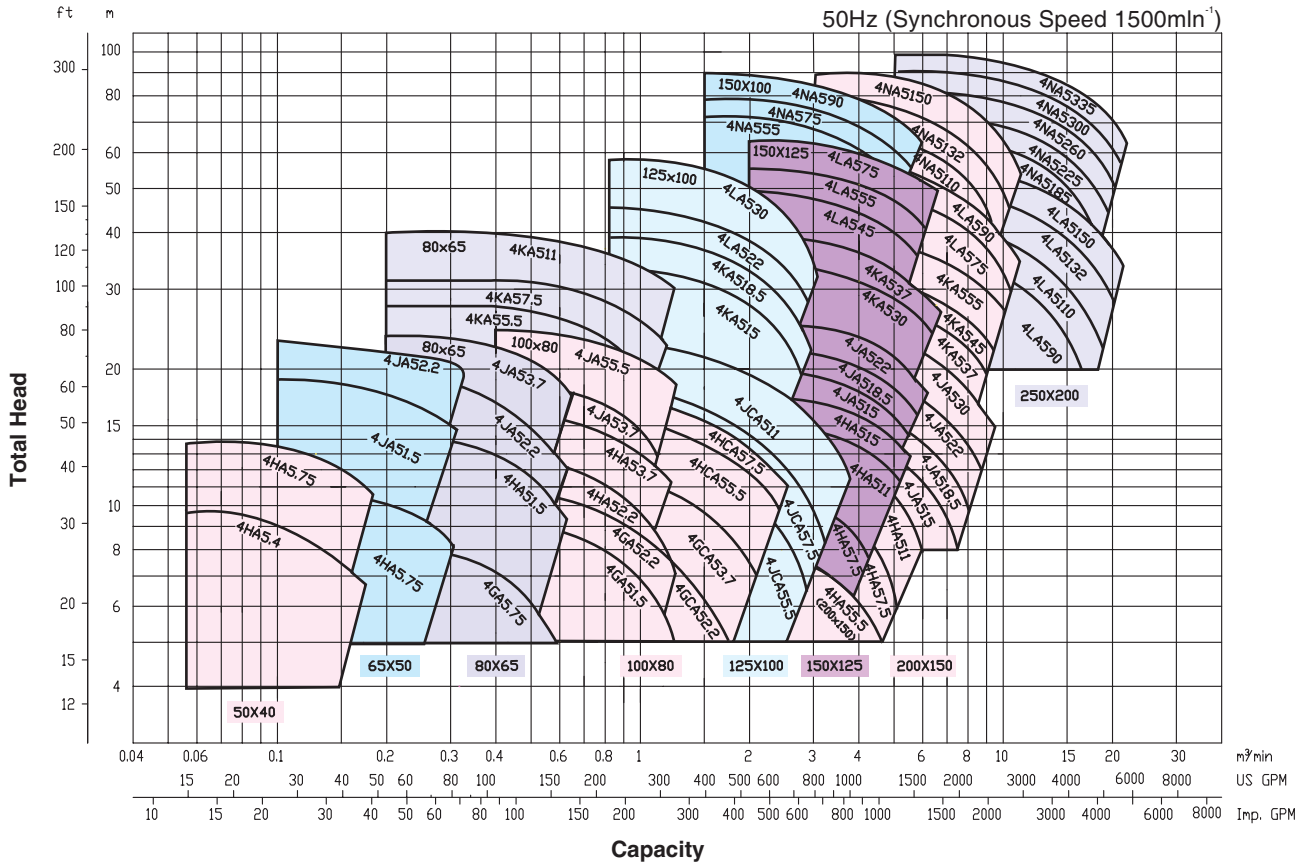
## APPLICATIONS

1. Industrial use
2. Water supply
3. Hot and cold water supply
4. For swimming pool
5. Sprinkling
6. Air-conditioning

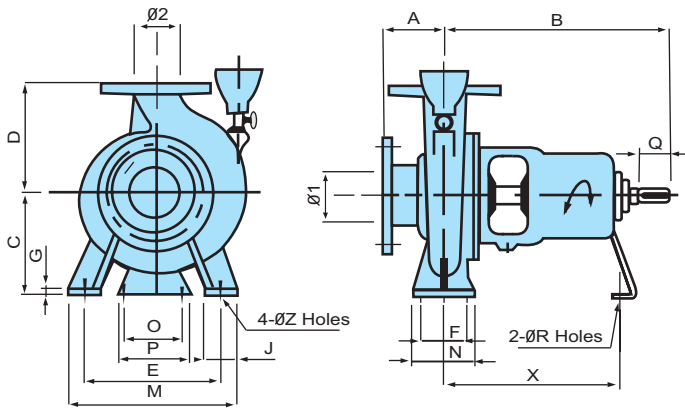
## SPECIFICATIONS

Description		Standard		Optional	
		2 poles model	4 poles model	2 poles model	4 poles model
Liquid	Name	Clean water			
	Temperature	Below 80°C (176°F)			
Max. Working Pressure		10 bar (10.2 kgf/cm <sup>2</sup> ) for standard flange JIS 10K RF		16 bar (16.3 kgf/cm <sup>2</sup> )	
		16 bar (16.3 kgf/cm <sup>2</sup> ) for standard flange JIS 16K RF			
Synchronous Speed		3000 min <sup>-1</sup>	1500 min <sup>-1</sup>		
Instalation		Indoors		Outdoors	
Construction	Impeller	Enclosed			
	Shaft seal	Gland Packing		Mechanical seal	
	Sealing	Self flushing		External flushing	
	Bearing	Sealed ball bearing		Oil bath (some models only)	
Flange	Suction & Discharge	Suction < φ 150 mm, except 100x65 FSKA : JIS 10K RF		16 bar : JIS 16K RF; DIN PN-16	
		100x65 FSKA : JIS 16K RF		DIN PN-16	
		Suction = φ 150 mm, except below models : JIS 10K RF		16 bar : JIS 16K RF; DIN PN-16	
		150x100 FSKA; 150x100 FSNA : JIS 16K RF		DIN PN-16	
		Suction = φ 200 mm, except below models : JIS 10K RF		16 bar : JIS 16K RF; DIN PN-16	
200x150 FSLA; 200x150 FSNA : JIS 16K RF		DIN PN-16			
Suction = φ 250 : JIS 16K RF					
Material	Casing	Cast Iron		Ductile Cast Iron (FCD)	
	Impeller	Bronze Casting (CAC406/BC6)		Cast iron; Ductile Cast Iron (FCD)	
	Shaft	403 Stainless steel		304; 316 Stainless steel	
	Seal	Mechanical Seal: Ceramic/Carbon/NBR		Gland Packing : Teflon (PTFE) impregnated Mechanical Seal : SiC/SiC	
Accessories	Bare shaft			Priming funnel ; valve; Companion Flange	
	With motor	Common base, Coupling, Coupling guard		Priming funnel ; valve; Companion Flange	

## PERFORMANCE CHART

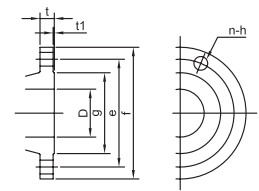


**BARE SHAFT PUMP**



Shaft End

**FLANGE JIS 16K RF**



Dimension - Flange

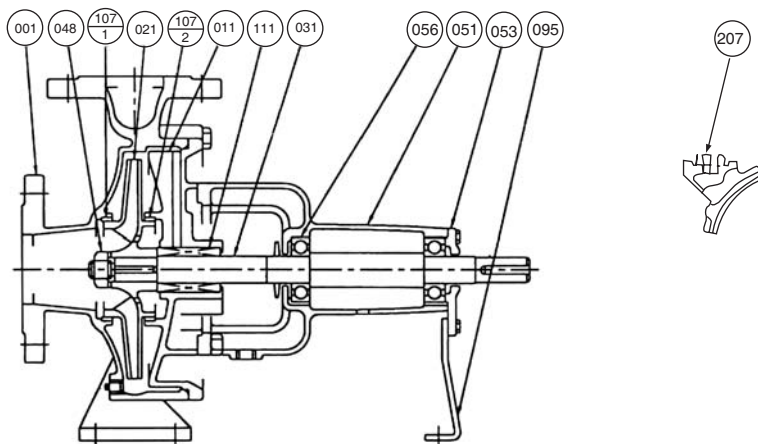
D	f	e	g	t1	t	n	h
mm	mm	mm	mm	mm	mm	n	mm
65	175	140	116	2	22	8	19
100	225	185	160	2	26	8	23
150	305	260	230	2	28	12	25
200	350	305	275	2	30	12	25
250	430	380	345	2	34	12	27

Dimension - Pump

Model	Size		Pump														Shaft					wt	
	φ1	φ2	A	B	C	D	E	F	G	J	M	N	O	P	R	X	Z	T	Q	U	V		W
100x65 FSKA	100	65	125	360	225	280	315	120	16	80	400	160	110	150	17	285	19	38	80	8	5	10	106
150x100 FSKA	150	100	140	530	250	315	315	120	16	80	400	160	90	120	15	373	19	42	95	8	5	12	146
150x100 FSNA			180	670	375	450	450	150	20	100	550	200	140	180	19	500	24	48	110	9	5.5	14	365
200x150 FSLA	200	150	162	670	315	450	450	150	20	100	550	200	140	180	19	500	24	48	110	9	5.5	14	336
200x150 FSNA			182		375	560												60		11	7	18	488
250x200 FSLA	250	200	180	670	385	560	560	250	25	100	660	315	140	180	19	500	24	60	110	11	7	18	505
250x200 FSNA			200		435	630							74	125				12		8	20	642	

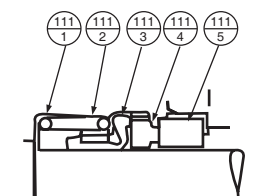
Unit:mm, unless otherwise stated

**SECTIONAL VIEW**



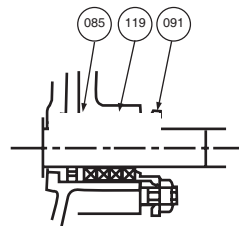
207	Plug	Steel	1
111	Mechanical Seal	-	
107-2	Casing Ring	Bronze	1
107-1	Casing Ring		
095	Stay	Steel	1
056	Ball Bearing	-	2
053	Bearing Cover	Cast Iron	1
051	Bearing Housing		
048	Impeller Nut	Brass	1
031	Shaft	Stainless Steel	
021	Impeller	Bronze	1
011	Casing Cover	Cast Iron	
001	Casing		
No.	Part Name	Material	Qty

**Mechanical Seal Type (Optional)**



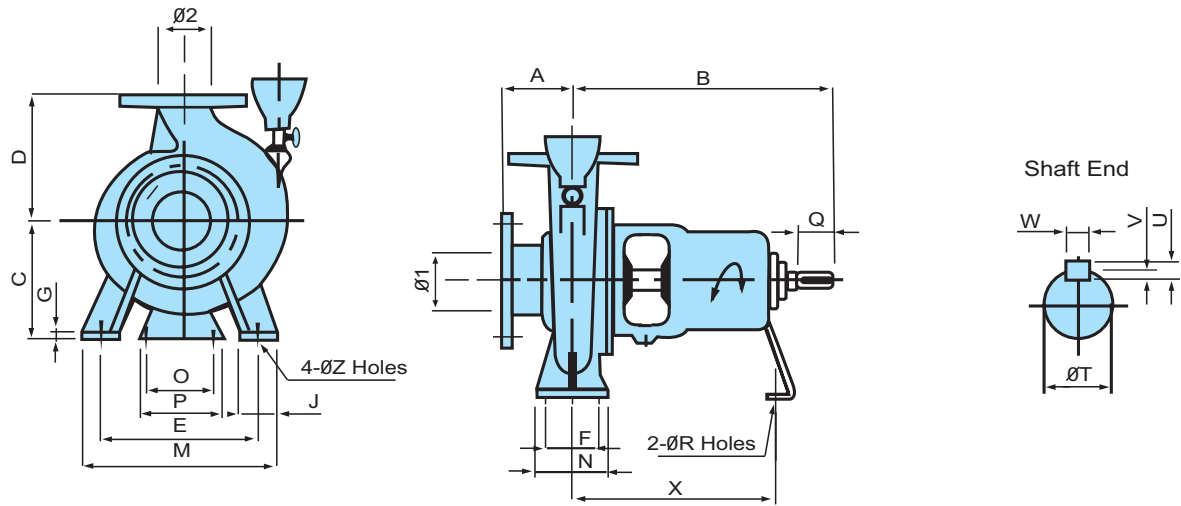
111-5	Mating Ring	Ceramic	1
111-4	Seal Ring	Carbon	
111-3	Friction Ring	NBR	
111-2	Coil Spring	Stainless Steel	
111-1	Spring Holder		
No.	Part Name	Material	Qty

**Gland Packing Type (Standard)**

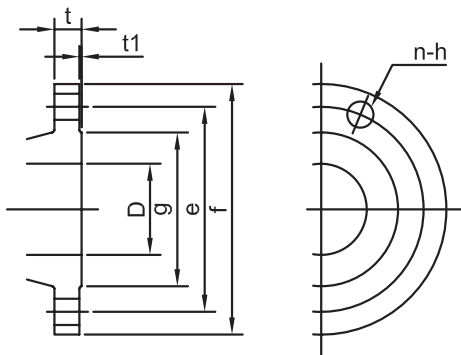


119	Gland Packing	-	4 or 5
091	Gland	Bronze	1
085	Lantern Ring Bushing		
No.	Part Name	Material	Qty

## DIMENSIONS - BARE SHAFT PUMP



### FLANGE JIS 10K RF



### Dimension - Flange

D	f	e	g	t1	t	n	h
mm	mm	mm	mm	mm	mm		mm
40	140	105	81	2	20	4	19
50	155	120	96	2	20	4	19
65	175	140	116	2	22	4	19
80	185	150	126	2	22	8	19
100	210	175	151	2	24	8	19
125	250	210	182	2	24	8	23
150	280	240	212	2	26	8	23
200	330	290	262	2	26	12	23

### Dimension - Pump

Model	Size		Pump														Shaft					wt kg											
	$\phi 1$	$\phi 2$	A	B	C	D	E	F	G	J	M	N	O	P	R	X	Z	T	Q	U	V		W										
50x40 FSHA	50	40	80	360	160	180	190	70	12	50	240	100	110	150	17	285	15	24	50	7	4	8	37										
65x50 FSHA	65	50	100	360	160	180	212	70	12	50	265	100	110	150	17	285	15	24	50	7	4	8	42										
65x50 FSJA					180	225	250	95	14	65	320	125											49										
80x65 FSGA	80	65	100	360	160	180	212	70	12	50	265	100	110	150	17	285	15	24	50	7	4	8	39										
80x65 FSHA					180	225	250	95	14	65	320	125											48										
80x65 FSJA					180	225	250	95	14	65	320	125											60										
80x65 FSKA					125	470	225	280	315	120	16	80											400	160	370	19	32	80	8	5	10	108	
100x80 FSGA	100	80	100	360	160	200	212	95	14	65	280	125	110	150	17	285	15	24	50	7	4	8	49										
100x80 FSHA					180	225	250	95	15	80	320	125											62										
100x80 FSJA					200	250	280	120	15	80	360	160											70										
100x80 FSGCA					225	250	95	14	65	320	125	62																					
100x80 FSHCA					125	360	180	250	280	95	14	65											345	125	15	32	80	8	5	10	65		
125x100 FSJCA	125	100	140	360	225	280	315	120	16	80	400	160	110	150	17	285	19	32	80	8	5	10	108										
125x100 FSKA				470	250	315	315	120	16	80	400	160											110	150	17	370	19	32	80	8	5	10	128
125x100 FSLA				530	280	355	400	150	20	100	500	200											370	24	42	110	24	42	110	8	5	10	168
150x125 FSHA	150	125	140	470	250	315	315	120	15	80	400	160	110	150	17	370	19	32	80	8	5	10	120										
150x125 FSJA					355	16	100	500	200	110	150	17											370	24	42	110	8	5	10	128			
150x125 FSKA	150	125	140	530	280	355	400	150	16	100	500	200	110	150	17	370	24	42	110	8	5	12	170										
150x125 FSLA					315	400	20	100	500	200	110	150											17	370	24	42	110	8	5	12	205		
200x150 FSHA	200	150	160	470	280	355	400	150	18	100	500	200	110	150	17	370	24	32	80	8	5	10	137										
200x150 FSJA	200	150	160	530	280	375	400	150	18	100	500	200	110	150	17	370	24	42	110	8	5	12	183										
200x150 FSKA																							670	315	400	450	20	100	550	200	140	180	19

Unit:mm, unless otherwise stated